

INJECTORS SERIES DERNIET 10

MANUAL OR PNEUMATIC DISPENSING PUMP WITH FIXED CALIBRATION: 10 CC PER STROKE.

SUITABLE FOR AGGRESSIVE FLUIDS AND USEFUL WHEN AN ACCURATE MIXING WITH ANOTHER FLUID IS NEEDED.

CODE : INIET30.010 (MANUAL)

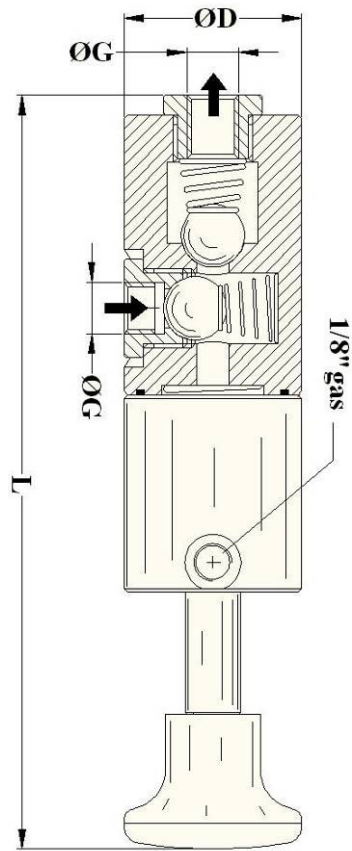
CODICE : INIET30.010-P (PNEUMATIC)

TECHNICAL FEATURES

- ACTUATOR: SINGLE ACTING CYLINDER WITH SPRING RETURN
- WORKING PRESSURE (PNEUMATIC VERSION): MIN 5 BAR - MAX 10 BAR
1/8" GAS AIR INLET.
- FLUID PIPE CONNECTIONS: 1/4 " GAS FEMALE (IN/OUT)
- AMBIENT TEMPERATURE: FROM -20°C TO 60° C
- MAX FLUID TEMPERATURE: 80° C

MAIN MATERIALS

- ACTUATOR: DERLIN
- PUMP BODY: DERLIN
- SEAL BALLS: PTFE
- ROD AND PISTON: BRASS
- FLUID CONNECTIONS: BRASS
- SPING RETURN: STAINLESS STEEL AISI 304



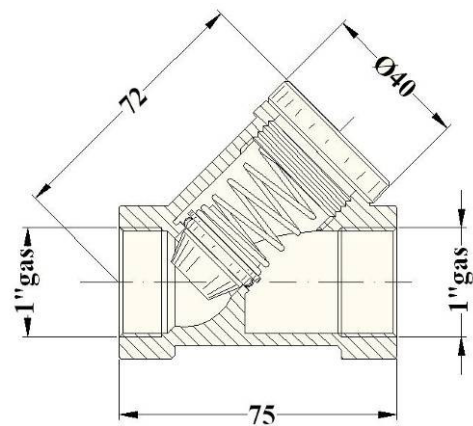
SIZE				
CODE	G ("GAS)	A	L	D
INIET30.010	1/4"	-	191	45
INIET30.010-P	1/4"	-	191	45

OVERPRESSURE CONTROL VALVE

CODE : 329003

SP 0,3 BAR FF 1" (STANDARD CALIBRATION)

OPTIONAL: PERSONALIZED CALIBRATIONS



TECHNICAL FEATURES

- DISCHARGE RESSURE: 0,3 BAR AS STANDARD
- VALVE SEAT: AT 45° WITH REFERENCE TO THE FLOW LINE
- SHUTTER: CONICAL PLUG
- PIPE THREAD: 1" GAS FF

MAIN MATERIALS

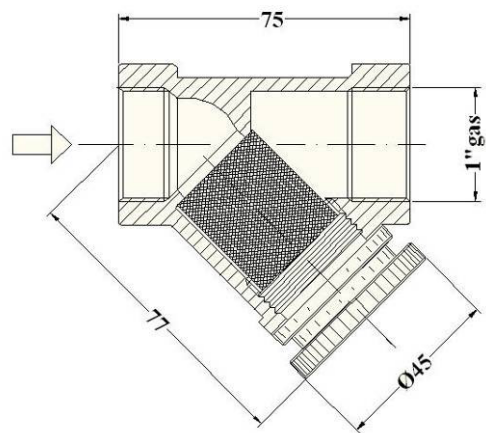
- SHUTTER: BRASS
- SHUTTER SEAL: O-RING FKM
- SPING: STAINLESS STEEL AISI 304
- VALVE BODY (PN16) : BRASS

FILTER -STRAINER

OTY 0,4 MM 1" FF

CODE: 804100 (FILTRATION 400 μm)

CODE: 810100 (FILTRATION 1000 μm)



TECHNICAL FEATURES

- MAX WORKING PRESSURE: 20 BAR
- FILTRATION: 400 μm OR 1000 μm
- PIPE THREAD: 1" GAS FF

MAIN MATERIALS

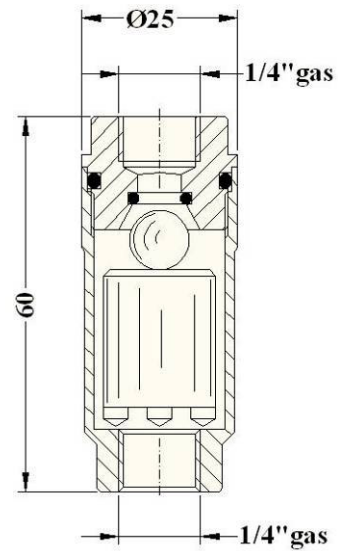
- VALVE BODY (PN16): BRASS
- BOTTOM PLUG: BRASS
- FILTERING SCREEN: STAINLESS STEEL AISI 304

FLOAT VALVE FOR TANKS

SERIES GALMA

FIT TO BE USED ALSO WITH HYDROCARBONS

CODE: 800000



TECHNICAL FEATURES

- CONNECTION: PIPE THREAD 1/4" GAS FF
- SHUTTER: BALL ON FLOAT
- AMBIENT TEMPERATURE: FROM -20° TO 60°C

MATERIALS

- BALL AND FLOAT: NYLON
- SEAL: O-RING FKM
- VALVE BODY: BRASS

SIZE			
CODE	G ("GAS)	H	Ø ESTERIOR
800000	1/4"	60	25