

TWO-WAY BALL VALVES IN STAINLESS STEEL AISI 304/316

POLISHING TREATMENT

COUPLED TO SINGLE ACTING OR DOUBLE ACTING ACTUATOR

TYPE:: TWO -WAY FULL BORE

FLANGE FOR ACTUATOR ASSEMBLING: ISO 5211-DIN 3337

PIPE THREAD: F/F ACCORDING TO ISO 228

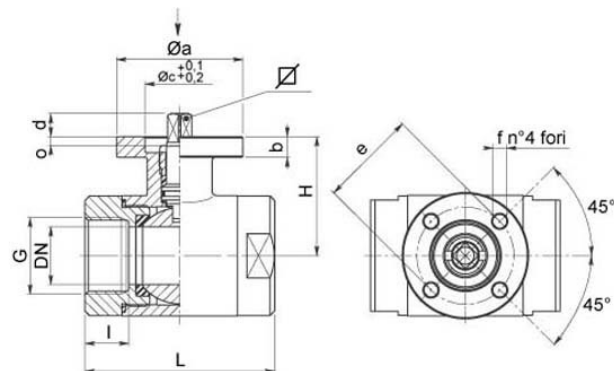
MATERIAL : STAINLESS STEEL AISI 304-316

SEALS: VIRGIN PTFE

WORKING TEMPERATURE: FROM -20°C
TO +160 °C

EXTERIOR TREATEMENT: POLISHING

ON REQUEST: THREADS AND SEALS
EXTRA-STANDARD



AISI 304 DA FUNCTION

Code	Description	Pipe size	PN	L mm	H mm	Kg	ISO-DIN	e	n.4 screws
010323014	MOSFE S 1/4" 2v 304 del	1/4"	64	52	39,0	0,35	F03	36	M5x16
010323038	MOSFE S 3/8" 2v 304 del	3/8"	64	52	39,0	0,34	F03	36	M5x16
010423012	MOSFE S 1/2" 2v 304 del	1/2"	64	62	41,5	0,45	F03	36	M5x16
010503034	MOSFE S 3/4" 2v 304 del	3/4"	64	72	45,0	0,66	F03	36	M5x16
010503100	MOSFE S 1" 2v 304 del	1"	40	82	51,5	0,90	F04	42	M5x16
010633114	MOSFE S 1"1/4 2v 304 del	1"1/4	40	92	56,5	1,34	F05	50	M6x16
010633112	MOSFE S 1"1/2 2v 304 del	1"1/2	40	104	76,0	2,31	F05	50	M6x20
010753200	MOSFE S 2" 2v 304 del	2"	25	116	84,0	3,40	F05	50	M6x20
010753212	MOSFE S 2"1/2 2v 304 del	2"1/2	25	128	94,5	5,75	F07	70	M8x20
010853300	MOSFE S 3" 2v 304 del	3"	25	150	106,0	8,93	F07	70	M8x20
010853400	MOSFE S 4" 2v 304 del	4"	25	178	120,0	14,80	F07	70	M8x20

AISI 316 DA FUNCTION

Cod.	Description	Thread	PN	L mm	H mm	Kg	ISO-DIN	e	n.4 screws
020323014	MOSFE S 1/4" 2v 316 del	1/4"	64	52	39,0	0,35	F03	36	M5x16
020323038	MOSFE S 3/8" 2v 316 del	3/8"	64	52	39,0	0,34	F03	36	M5x16
020423012	MOSFE S 1/2" 2v 316 del	1/2"	64	62	41,5	0,45	F03	36	M5x16
020503034	MOSFE S 3/4" 2v 316 del	3/4"	64	72	45,0	0,66	F03	36	M5x16
020503100	MOSFE S 1" 2v 316 del	1"	40	82	51,5	0,90	F04	42	M5x16
020633114	MOSFE S 1"1/4 2v 316 del	1"1/4	40	92	56,5	1,34	F05	50	M6x16
020633112	MOSFE S 1"1/2 2v 316 del	1"1/2	40	104	76,0	2,31	F05	50	M6x20
020753200	MOSFE S 2" 2v 316 del	2"	25	116	84,0	3,40	F05	50	M6x20
020753212	MOSFE S 2"1/2 2v 316 del	2"1/2	25	128	94,5	5,75	F07	70	M8x20
020853300	MOSFE S 3" 2v 316 del	3"	25	150	106,0	8,93	F07	70	M8x20
020853400	MOSFE S 4" 2v 316 del	4"	25	178	120,0	14,80	F07	70	M8x20

**TWO-WAY BALL VALVES IN STAINLESS STEEL AISI 304/316
POLISHING TREATEMENT
COUPLED TO SINGLE ACTING OR DOUBLE ACTING ACTUATOR**

TYPE:: TWO -WAY FULL BORE

FLANGE FOR ACTUATOR ASSEMBLING: ISO 5211-DIN 3337

PIPE THREAD: F/F ACCORDING TO ISO 228

MATERIAL : STAINLESS STEEL AISI 304-316

SEALS: VIRGIN PTFE

WORKING TEMPERATURE: FROM -20°C TO +160°C

EXTERIOR TREATEMENT: SAND-BLASTING

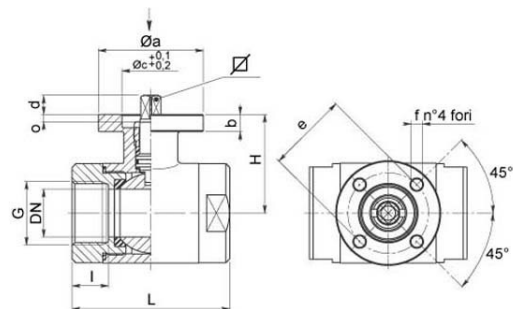
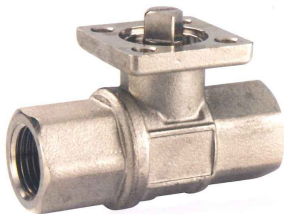
ON REQUEST: THREADS AND SEALS EXTRA-SANDARD



AISI 316 DA FUNCTION

Code	Description	Pipe size	PN	L mm	H mm	Kg	ISO-DIN	e	n.4 screws
030423012	MOSFE S 1/2" 2v 316 des	1/2"	100	62	37,5	0,43	F03	36	M5x14
030503034	MOSFE S 3/4" 2v 316 des	3/4"	100	72	41,0	0,61	F03	36	M5x14
030503100	MOSFE S 1" 2v 316 des	1"	64	82	53,5	1,07	F04	42	M5x14
030633114	MOSFE S 1"1/4 2v 316 des	1"1/4	64	92	58,5	1,26	F04	42	M5x14
030633112	MOSFE S 1"1/2 2v 316 des	1"1/2	40	104	68,0	2,26	F05	50	M6x16
030633200	MOSFE S 2" 2v 316 des	2"	40	116	76,0	3,30	F05	50	M6x16

**TWO- WAY BALL VALVES IN CHROM-PLATED BRASS,
WITH NICKEL-PLATED BODY COUPLED TO SINGLE ACTING
OR DOUBLE ACTING ACTUATOR**



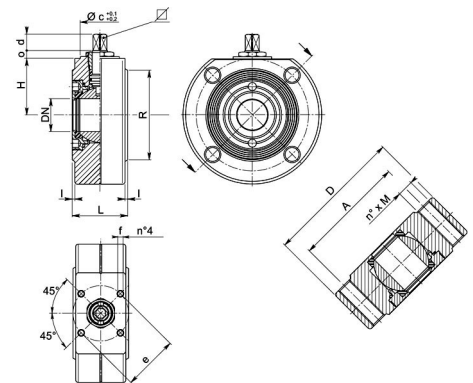
AISI 316 DA FUNCTION

Code	Description	Pipe size	PN	L mm	H mm	ISO-DIN	e	n. 4 screws
060323012	MOSFE S 1/2" 2v ott de	1/2"	16	66	31	F03	36	M5
060323034	MOSFE S 3/4" 2v ott de	3/4"	16	76	40,5	F04/05	42/50	M5/M6
060423100	MOSFE S 1" 2v ott de	1"	16	90	45	F04	42	M6
060633114	MOSFE S 1"1/4 2v ott de	1"1/4	16	110	62	F05	50	M6
060633112	MOSFE S 1"1/2 2v ott de	1"1/2	16	120	69,5	F05	50	M6
060753200	MOSFE S 2" 2v ott de	2"	16	140	84	F05	50	M6

TWO-WAY BALL VALVES IN STAINLESS STEEL AISI 304/316

“WAFER TYPE” BODY

COUPLED TO SINGLE ACTING OR DOUBLE ACTING ACTUATOR



VALVE: TOTAL BORE

FLANGE ACTUATOR ASSEMBLING: ISO 5211-DIN 3337

PIPE CONNECTION: THREADED HOLES AS PER UNI EN 1092-1:2003

SEALS: VIRGIN PTFE

WORKING TEMPERATURE: FROM -20°C TO +160°C

ON REQUEST: EXTRA-STANDARD SEALS

AISI 304 DA FUNCTION

Code	Description	Pipe size	PN	L mm	H mm	Kg	ISO-DIN	e	n.4 screws
040423012	MOSFE W 1/2" 304 de	1/2"	40	35	32,5	1,36	F03	36	M5
040503034	MOSFE W 3/4" 304 de	3/4"	40	38	40,0	1,91	F04	42	M5
040633100	MOSFE W 1" 304 de	1"	40	42	42,5	2,26	F04	42	M5
040633114	MOSFE W 1"1/4 304 de	1"1/4	40	50	57,5	4,22	F05	50	M6
040633112	MOSFE W 1"1/2 304 de	1"1/2	40	60	62,0	5,66	F05	50	M6
040753200	MOSFE W 2" 304 de	2"	40	72	70,0	8,30	F05	50	M6
040753212	MOSFE W 2"1/2 304 de	2"1/2	16	95	80,5	14,60	F07	70	M8
041003300	MOSFE W 3" 304 de	3"	16	118	92,0	21,47	F07	70	M8
041153400	MOSFE W 4" 304 de	4"	16	140	101,0	39,00	F10	102	M10

AISI 316 DA FUNCTION

Cod.	Descrizione	Pipe size	PN	L mm	H mm	Kg	ISO-DIN	e	n.4 screws
050423012	MOSFE W 1/2" 316 de	1/2"	40	35	32,5	1,36	F03	36	M5
050503034	MOSFE W 3/4" 316 de	3/4"	40	38	40,0	1,91	F04	42	M5
050633100	MOSFE W 1" 316 de	1"	40	42	42,5	2,26	F04	42	M5
050633114	MOSFE W 1"1/4 316 de	1"1/4	40	50	57,5	4,22	F05	50	M6
050633112	MOSFE W 1"1/2 316 de	1"1/2	40	60	62,0	5,66	F05	50	M6
050753200	MOSFE W 2" 316 de	2"	40	72	70,0	8,30	F05	50	M6
050753212	MOSFE W 2"1/2 316 de	2"1/2	16	95	80,5	14,60	F07	70	M8
051003300	MOSFE W 3" 316 de	3"	16	118	92,0	21,47	F07	70	M8
051153400	MOSFE W 4" 316 de	4"	16	140	101,0	39,00	F10	102	M10

**TWO-WAY BALL VALVES IN MICROCAST STAINLESS STEEL AISI 316
SAND-BLASTING TREATEMENT
COUPLED TO SINGLE ACTING OR DOUBLE ACTING ACTUATOR**

VALVE: TOTAL BORE

FLANGE FOR ACTUATOR ASSEMBLING: ISO 5211-DIN 3337

PIPE THREAD: F/F ISO 228

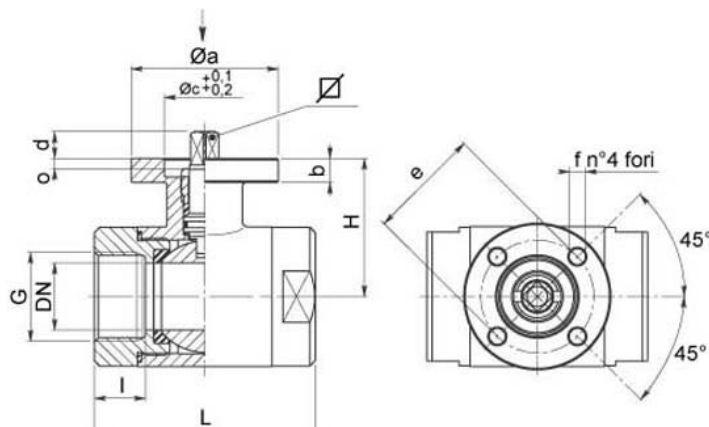
MATERIAL: AISI 316

SEALS: VIRGIN PTFE

WORKING TEMPERATURE: FROM -20°C TO +200°C

EXTERIOR TREATEMENT: SAND-BLASTING

ON REQUEST: EXTRA-STANDARD THREADS



MICROCAST AISI 316 - DE FUNCTION

Code	Description	Pipe size	PN	L mm	H mm	Kg	ISO-DIN	e	n.4 screws
080323014	MOSFE S 1/4" 2v 316m des	1/4"	70	50	39,0	0,35	F03	36	M5x16
080323038	MOSFE S 3/8" 2v 316m des	3/8"	70	50	39,0	0,34	F03	36	M5x16
080323012	MOSFE S 1/2" 2v 316m des	1/2"	70	62	41,5	0,45	F03	36	M5x16
080423034	MOSFE S 3/4" 2v 316m des	3/4"	70	72	45,0	0,66	F03	36	M5x16
080503100	MOSFE S 1" 2v 316m des	1"	70	82	51,5	0,90	F04	42	M5x16
080633114	MOSFE S 1"1/4 2v 316m des	1"1/4	70	92	56,5	1,34	F05	50	M6x16
080633112	MOSFE S 1"1/2 2v 316m des	1"1/2	50	104	76,0	2,31	F05	50	M6x20
080753200	MOSFE S 2" 2v 316m des	2"	50	116	84,0	3,40	F05	50	M6x20
080753212	MOSFE S 2"1/2 2v 316m des	2"1/2	50	128	94,5	5,75	F07	70	M8x20

**THREE-WAY BALL VALVES IN STAINLESS STEEL AISI 304/316
POLISHING TREATMENT - T-SHAPED HOLE
COUPLED TO SINGLE ACTING OR DOUBLE ACTING ACTUATOR**

FLANGE ACTUATOR ASSEMBLING: ISO 5211-DIN 3337

PIPE THREAD: F/F/F ISO 228

VALVE: TOTAL BORE

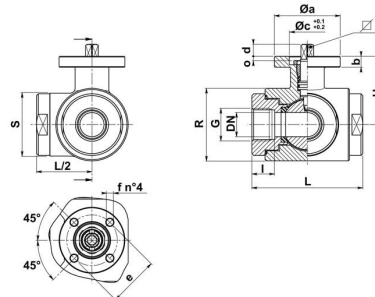
MATERIAL: STAINLESS STEEL AISI 304L- AISI 316L

SEALS: VIRGIN PTFE (N°4)

WORKING TEMPERATURE: FROM -20°C TO +160°C

EXTERIOR TREATMENT: POLISHING

ON REQUEST: EXTRA-STANDARD THREADS AND SEALS



AISI 304 DA FUNCTION

Code	Description	Pipe size	PN	L mm	H mm	Kg	ISO-DIN	e mm	n. 4 screws
0104230143T	MOSFE S 1/4" 3vt 304 del	1/4"	40	72	46,5	0,95	F03	36	M5x16
0104230383T	MOSFE S 3/8" 3vt 304 del	3/8"	40	72	46,5	0,92	F03	36	M5x16
0105030123T	MOSFE S 1/2" 3vt 304 del	1/2"	40	82	49	1,13	F03	36	M5x16
0106330343T	MOSFE S 3/4" 3vt 304 del	3/4"	40	92	56,5	1,87	F04	42	M5x16
0107531003T	MOSFE S 1" 3vt 304 del	1"	40	102	61	2,49	F04	42	M5x16
0107531143T	MOSFE S 1 1/4 3vt 304 del	1 1/4	40	118	81,5	4,38	F05	50	M6x20
0107531123T	MOSFE S 1 1/2 3vt 304 del	1 1/2	40	134	89	6,65	F05	50	M6x20
0107532003T	MOSFE S 2" 3vt 304 del	2"	25	144	91,5	8,29	F07	70	M8x20
0108532123T	MOSFE S 2 1/2 3vt 304 del	2 1/2	25	160	101,5	9,86	F07	70	M8x20
0110033003T	MOSFE S 3" 3vt 304 del	3"	16	200	116	20,20	F07	70	M8x20
0110034003T	MOSFE S 4" 3vt 304 del	4"	16	240	131	32,50	F07	70	M8x20

AISI 316 DA FUNCTION

Cod.	Description	Pipe size	PN	L mm	H mm	Kg	ISO-DIN	e mm	n.4 screws
0204230143T	MOSFE S 1/4" 3vt 316 del	1/4"	40	72	46,5	0,95	F03	36	M5x16
0204230383T	MOSFE S 3/8" 3vt 316 del	3/8"	40	72	46,5	0,92	F03	36	M5x16
0205030123T	MOSFE S 1/2" 3vt 316 del	1/2"	40	82	49	1,13	F03	36	M5x16
0206330343T	MOSFE S 3/4" 3vt 316 del	3/4"	40	92	56,5	1,87	F04	42	M5x16
0207531003T	MOSFE S 1" 3vt 316 del	1"	40	102	61	2,49	F04	42	M5x16
0207531143T	MOSFE S 1 1/4 3vt 316 del	1 1/4	40	118	81,5	4,38	F05	50	M6x20
0207531123T	MOSFE S 1 1/2 3vt 316 del	1 1/2	40	134	89	6,65	F05	50	M6x20
0207532003T	MOSFE S 2" 3vt 316 del	2"	25	144	91,5	8,29	F07	70	M8x20
0208532123T	MOSFE S 2 1/2 3vt 316 del	2 1/2	25	160	101,5	9,86	F07	70	M8x20
0210033003T	MOSFE S 3" 3vt 316 del	3"	16	200	116	20,20	F07	70	M8x20
0210034003T	MOSFE S 4" 3vt 316 del	4"	16	240	131	32,50	F07	70	M8x20

**THREE-WAY BALL VALVES IN STAINLESS STEEL AISI 304/316
POLISHING TREATMENT - L-SHAPED HOLE
COUPLED TO SINGLE ACTING OR DOUBLE ACTING ACTUATOR**

FLANGE ACTUATOR ASSEMBLING: ISO 5211-DIN 3337

PIPE THREAD: F/F/F ISO 228

VALVE: TOTAL BORE

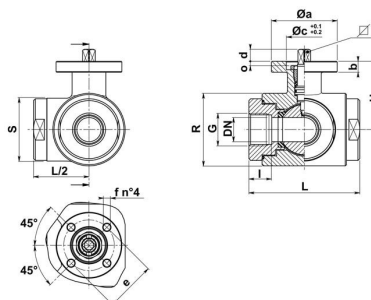
MATERIAL: STAINLESS STEEL AISI 304L- AISI 316L

SEALS: VIRGIN PTFE (N°4)

WORKING TEMPERATURE: FROM -20°C TO +160°C

EXTERIOR TREATMENT: POLISHING

ON REQUEST: EXTRA-STANDARD THREADS AND SEALS



AISI 304 DA FUNCTION

Code	Description	Pipe size	PN	L mm	H mm	Kg	ISO-DIN	e mm	n. 4 screws
0104230143L	MOSFE S 1/4" 3vl 304 del	1/4"	40	72	46,5	0,95	F03	36	M5x16
0104230383L	MOSFE S 3/8" 3vl 304 del	3/8"	40	72	46,5	0,92	F03	36	M5x16
0105030123L	MOSFE S 1/2" 3vl 304 del	1/2"	40	82	49	1,13	F03	36	M5x16
0106330343L	MOSFE S 3/4" 3vl 304 del	3/4"	40	92	56,5	1,87	F04	42	M5x16
0107531003L	MOSFE S 1" 3vl 304 del	1"	40	102	61	2,49	F04	42	M5x16
0107531143L	MOSFE S 1"1/4 3vl 304 del	1"1/4	40	118	81,5	4,38	F05	50	M6x20
0107531123L	MOSFE S 1"1/2 3vl 304 del	1"1/2	40	134	89	6,65	F05	50	M6x20
0107532003L	MOSFE S 2" 3vl 304 del	2"	25	144	91,5	8,29	F07	70	M8x20
0108532123L	MOSFE S 2"1/2 3vl 304 del	2"1/2	25	160	101,5	9,86	F07	70	M8x20
0110033003L	MOSFE S 3" 3vl 304 del	3"	16	200	116	20,20	F07	70	M8x20
0110034003L	MOSFE S 4" 3vl 304 del	4"	16	240	131	32,50	F07	70	M8x20

AISI 316 DA FUNCTION

Code	Description	Pipe size	PN	L mm	H mm	Kg	ISO-DIN	e mm	n. 4 screws
0204230143L	MOSFE S 1/4" 3vl 316 del	1/4"	40	72	46,5	0,96	F03	36	M5x16
0204230383L	MOSFE S 3/8" 3vl 316 del	3/8"	40	72	46,5	0,93	F03	36	M5x16
0205030123L	MOSFE S 1/2" 3vl 316 del	1/2"	40	82	49	1,23	F03	36	M5x16
0206330343L	MOSFE S 3/4" 3vl 316 del	3/4"	40	92	56,5	1,85	F04	42	M5x16
0207531003L	MOSFE S 1" 3vl 316 del	1"	40	102	61	2,52	F04	42	M5x16
0207531143L	MOSFE S 1"1/4 3vl 316 del	1"1/4	40	118	81,5	4,46	F05	50	M6x20
0207531123L	MOSFE S 1"1/2 3vl 316 del	1"1/2	40	134	89	6,80	F05	50	M6x20
0207532003L	MOSFE S 2" 3vl 316 del	2"	25	144	91,5	8,23	F07	70	M8x20
0208532123L	MOSFE S 2"1/2 3vl 316 del	2"1/2	25	160	101,5	10,02	F07	70	M8x20
0210033003L	MOSFE S 3" 3vl 316 del	3"	16	200	116	20,90	F07	70	M8x20
0210034003L	MOSFE S 4" 3vl 316 del	4"	16	240	131	33,50	F07	70	M8x20